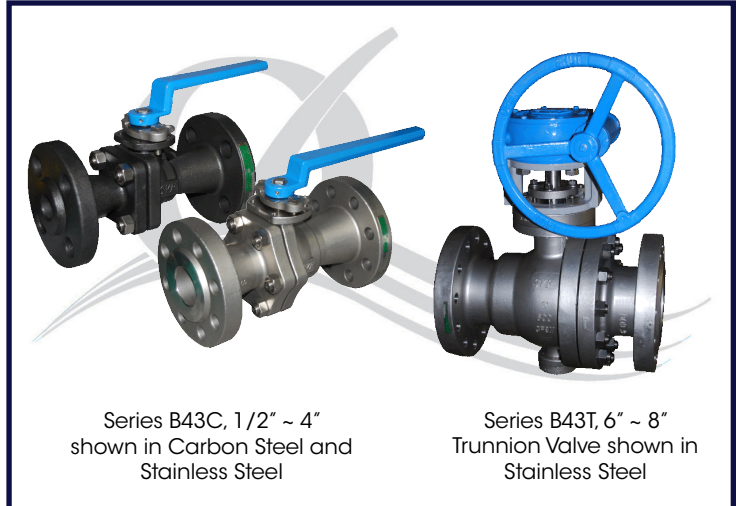


The SVF Series B43C Flanged Ball Valves are high performance, ANSI Class 600 full ported valves certified to API-607 fire safe design and API-608, ISO TopWorks for actuation and designed for a wide range of industrial applications.

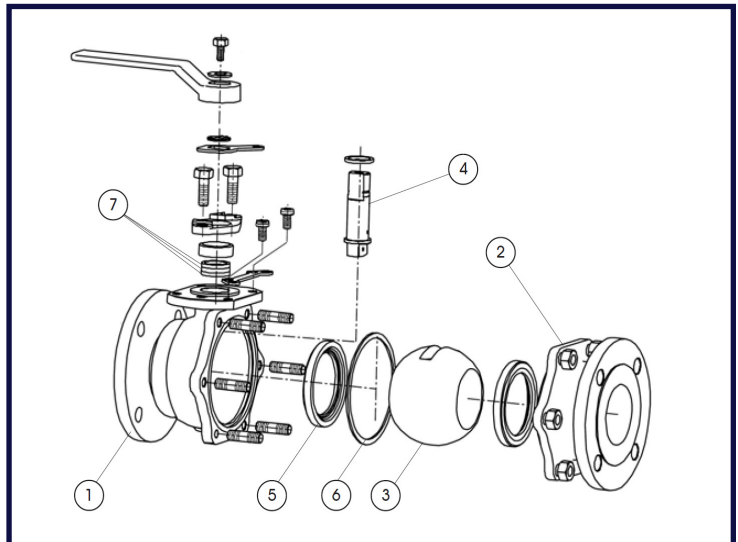
### SERIES B43C DESIGN FEATURES

- ✓ Standard Fire Safe Certification to API 607, Anti-Static
- ✓ Certified to API-608 to meet the additional design, operational and performance requirements of the Petroleum Refining, Petrochemical Processing and Chemical Processing Industries
- ✓ Standard NACE MRO175
- ✓ ISO 5211 mounting pad for easy actuation
- ✓ Standard seat material is Supralon for higher temperature, steam and thermal fluid applications
- ✓ Standard locking handle in both open and closed positions (Sizes 1/2" ~ 4")
- ✓ Worm gear operator handwheel for 6" & 8" valves Blowout proof stem adds safety & reliability



### MATERIALS OF CONSTRUCTION

ITEM #	DESCRIPTION	MATERIALS SPECIFICATIONS (Additional Options Available)
1	Body	316 Stainless Steel (ASTM A351 CF8M), Carbon Steel (ASTM A216 WCB)
2	End Cap	316 Stainless Steel (ASTM A351 CF8M), Carbon Steel (ASTM A216 WCB)
3	Ball	316 Stainless Steel (ASTM A351 CF8M)
4	Stem	316 Stainless Steel (ASTM A276)
5	Seat	Supralon
6	Body Seal	SPW316+GRAFOIL <sup>®</sup> , PTFE
7	Stem Seal	GRAFOIL <sup>®</sup>



### SPECIFICATION STANDARDS OF COMPLIANCE

SVF Series B43C Ball Valves are available in designs that meet the following Industry Standards:

- ISO
- ANSI
- NACE
- MSS
- ASME
- ASTM
- API

Contact SVF for specific applications

*What do you need today?™*

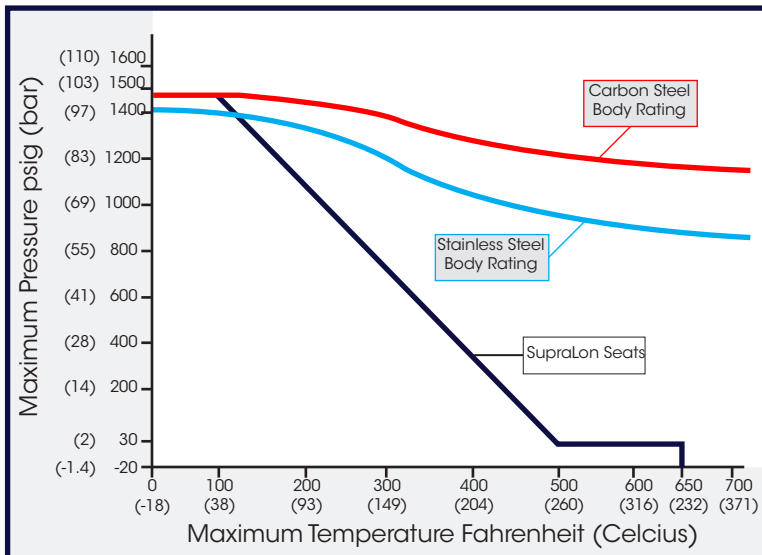
HIGH PURITY VALVES  
**CleanFLOW**

**PRO-SPEC**  
PROCESS SPECIFIC

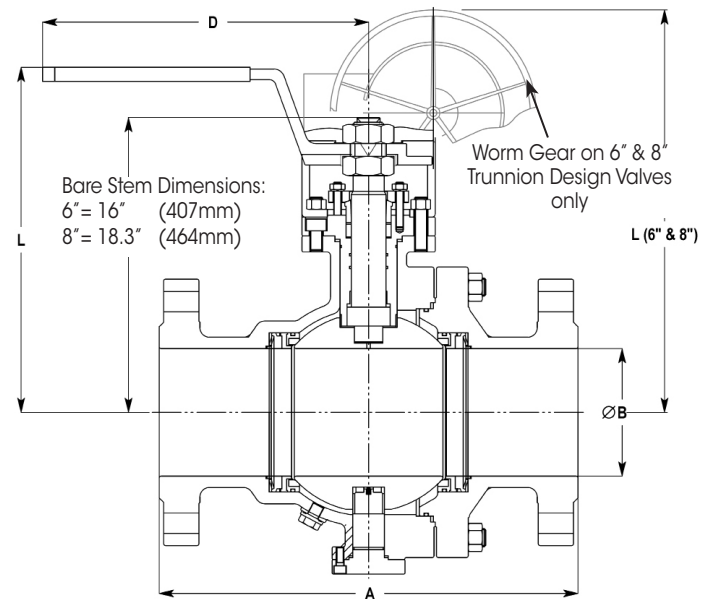
**QUALITY FLOWS  
THROUGH US**

**DIMENSIONS, WEIGHT, CV, TORQUE**

Size	A		B		D		L		Weight		Cv	Torque*		
	in.	mm	in.	mm	in.	mm	in.	mm	lbs	kg		in-lbf	Nm	
1/2"	6.5	165	0.59	15	5.12	130	3.41	87	7	3	11	57	6	
3/4"	7.5	190	0.79	20	5.12	130	3.52	90	11	5	26	69	8	
1"	8.5	216	0.98	25	6.30	160	4.02	102	14	6	42	126	14	
1-1/2"	9.5	241	1.50	38	7.87	200	4.92	125	29	13	120	322	36	
2"	11.5	292	1.97	50	10.43	265	5.35	136	38	17	190	484	55	
3"	14.0	356	2.99	76	15.75	400	6.69	170	78	35	600	1288	146	
4"	17.0	432	3.94	100	15.75	400	8.66	220	150	68	1650	1866	211	
6"	22.0	559	5.91	150	-	-	23.9	607	536	243	2600	8800	1000	
6"	Weight Without Worm Gear:								498	226				
8"	26.0	660	7.91	201	-	-	26.1	664	877	398	4200	17000	1850	
8"	Weight Without Worm Gear:								831	377				

**B43C - PRESSURE/TEMPERATURE CHART**


\* Torques listed at full differential pressure


**HOW TO ORDER SERIES B43C BALL VALVES**

Please refer to the next page for our comprehensive  
How to Order Guide for Series B43C Ball Valves.

Ordering Code Sequence (Columns 1 thru 11)

1	2	3	4	5	6
SERIES	BODY	ENDS	BALL	STEM	SEAT MATERIAL
B43C = Series B43	4 = Carbon Steel ASTM A216 WCB  6 = 316 Stainless Steel ASTM A351 CF8M	4 = Carbon Steel ASTM A216 WCB  6 = 316 Stainless Steel ASTM A351 CF8M	6 = 316 Stainless Steel ASTM A351 CF8M	6 = 316 Stainless Steel ASTM A276-316	S = Supralon
B43T = Series B43-T	Sizes 6" & 8" are <u>only</u> available in Trunnion Design				
7	8	9	10	11	
BODY SEAL	END CONNECTIONS	VALVE SIZE	OPTIONS*	SPECIAL SERVICES*	
G = GRAFOIL (Standard)  T = PTFE	RF3 = 600# Flanged Ends (Raised Face)	005 = 1/2"  007 = 3/4"  010 = 1"  015 = 1-1/2"  020 = 2"  030 = 3"  040 = 4"  060 = 6" <sup>1</sup>  080 = 8" <sup>1</sup>	00 = None  SJ = Steam Jacket	00 = None  XC = Oxygen Cleaned  SF = Degreased (Silicone Free)  UH = Vent/Relief Hole (Upstream Side)  AE = Oxygen Cleaned & Vent Hole (Upstream Side)  AK = Degreased & Vent Hole (Upstream Side)	
<sup>1</sup> NOTE: 6" and 8" Valves are <u>only</u> available in Trunnion Design (Series B43T)					

Order Example: (B43C6666SGRF30200000)

The Part Number will contain 20 digits.

Ordering Code Sequence >>

Sample Part Number >>

1	2	3	4	5	6	7	8	9	10	11
B43C	6	6	6	6	S	G	RF3	020	00	00
Valve Series	Body Material	End Material	Ball	Stem	Seat Material	Seal Material	End Connections	Valve Size	Options*	Special Services*

Manual Valves are supplied with lockable lever handles.

Anti-Static Device is part of the standard assembly of these Valves.

\*Not all Accessories/Options or Special Services available on all ball valves. Consult SVF for additional information.